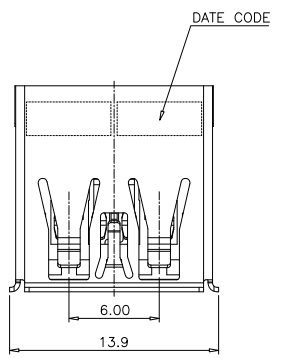
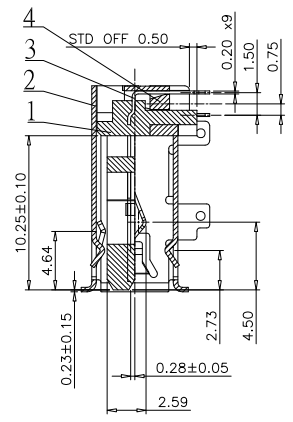
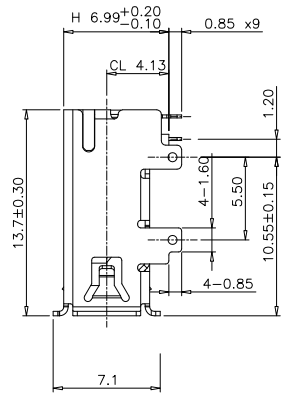


1 2 3 4 5 6 7 8

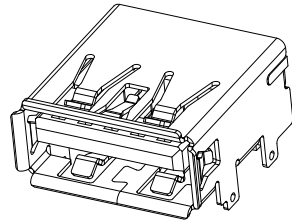
Pin #	SIGNAL NAME	DESCRIPTION	MATING SEQUENCE
1	VBUS	POWER	SECOND
2	D-	USB 2.0 DIFFERENTIAL PAIR	THIRD
3	D+		
4	GND	GROUND FOR POWER RETURN	SECOND
5	StdA_SSRX-	SUPERSPEED RECEIVER DIFFERENTIAL PAIR	LAST
6	StdA_SSRX+		
7	GND_DRAIN	GROUND FOR SIGNAL RETURN	
8	StdA_SSTX-	SUPERSPEED TRANSMITTER DIFFERENTIAL PAIR	
9	StdA_SSTX+		
Shell	Shield	CONNECTOR METAL SHELL	FRIST



(TOP VIEW)

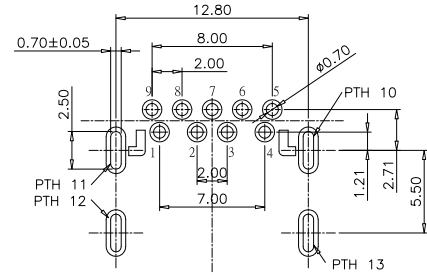
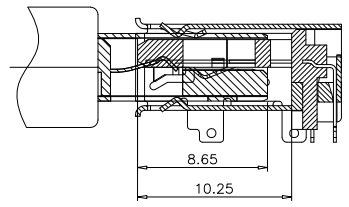
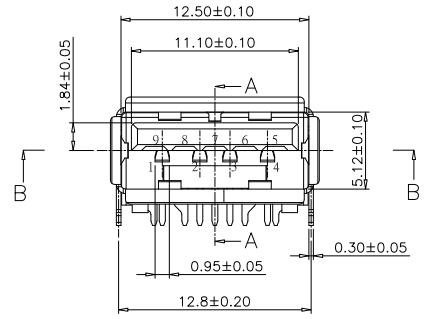


SECTION A-A

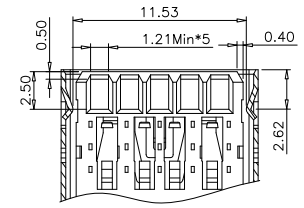


NOTE:

- MATERIAL:
  - INSULATOR:HIGH TEMPERATURE PLASTIC UL94 V-0;BLUE
  - TERMINAL:COPPER ALLOY(0.2t)
  - SHELL:SUS201(0.3t)
- ELECTRICAL CHARACTERISTICS:
  - CONTACT RESISTANCE:30mΩ Max
  - CONTACT CURRENT RATING:1.5A
  - DIELECTRIC WITHSTANDING VOLTAGE:500 V R. M. S.
  - INSULATION RESISTANCE 100 MΩ Min
  - OPERATING TEMPERATURE:-25° C ~ 85° C
- MECHANICAL CHARACTERISTICS:
  - MATING FORCE:35N Max
  - UNMATED FORCE:10N Min INITIAL; 6N Min AFTER TEST
  - DURABILITY:5,000 CYCLES
- PLATING
  - TERMINAL:GOLD PLATED ON CONTACT AREA  
Tin PLATED OVER NICKEL ON SOLDER AREA
  - SHELL:NICKEL PLATED ALL OVER



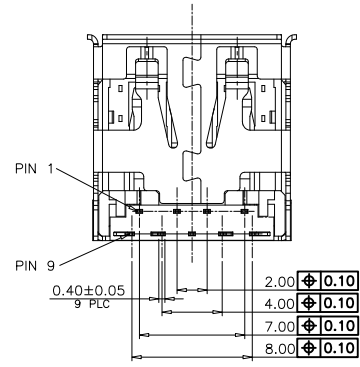
TOLERANCE:±0.05  
RECOMMENDED PCB LAYOUT 1.0t



SECTION B-B

ORDER INFORMATION

SERIES NO.	Contact Plated	Packaging	Shell Plated	Shell Leg	Housing Color
U30D	XX	X	D	7	X
USB 3.0 DIP Type A TYPE	G1: Gold Flash G4: 15u" G5: 30u"	2: T&R 3: Tray	Stainless D: Nickel	7: 4 Straight Legs	P: Black PA9T W: Blue PA9T



(BOTTOM VIEW)

RoHS Compliant

REV.	REVISION RECORD	DATE	General Tolerance
A	Original	09/30/17"	LINEAR 0.0 ±0.35 ANGLE ±3° 0.00 ±0.20
			UNIT:mm
			A4 NAME DATE
			APPROVED SUNNY
			DESIGNER TED
			DRAWN WING

**ARIBA**  
TECHNOLOGY CO., LTD.

TITLE: USB 3.0 A Female DIP Right Angle Shell 4 Straight Legs

DWG.NO: U30DARRXXXD7X-190 REV. A

SCALE 1:1 SHEET 1 OF 1

1 2 3 4 5 6 7 8